

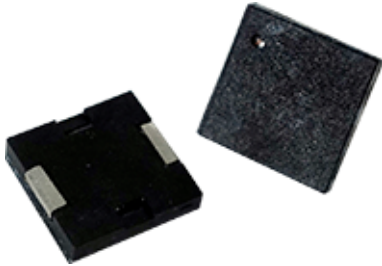
Description

Chinasound SMD Piezo Transducer 09mm length, type A(=9mm width,2.8mm height) , 3Vp-p rated voltage – 2.1KHz resonant frequency, lead Free reflowing solderable and RoHS compliant

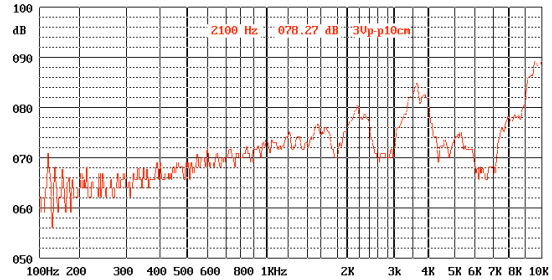
◆ **RoHS compliant**

- ◆ Reliable Solid State Piezoelectric Technology
- ◆ Corrosion Resistance Diaphragm
- ◆ Flame Retardant Plastic
- ◆ Tape and reel packaging for auto mounting

Picture



Characteristics



Specification

- Operating Voltage
- Operating Frequency
- Sound Output
- Operating Current
- Capacitance
- Operating Temp.
- Storage Temperature
- Termination
- Construction Materials

20 Vp-p max.
 2100+/-500Hz
 75dB min. at 3Vp-p 10cm 2.1KHz 25°C
 1mA max. at 3Vp-p
 15,000+/-30% pF at 100Hz 1Vrms
 -40°C to +105°C
 -40°C to +120°C
 2 soldering pads, Sn plated Brass
 Plastic, LCP Vectra E130i or equal
 Ni Alloy Disc N42 or equal

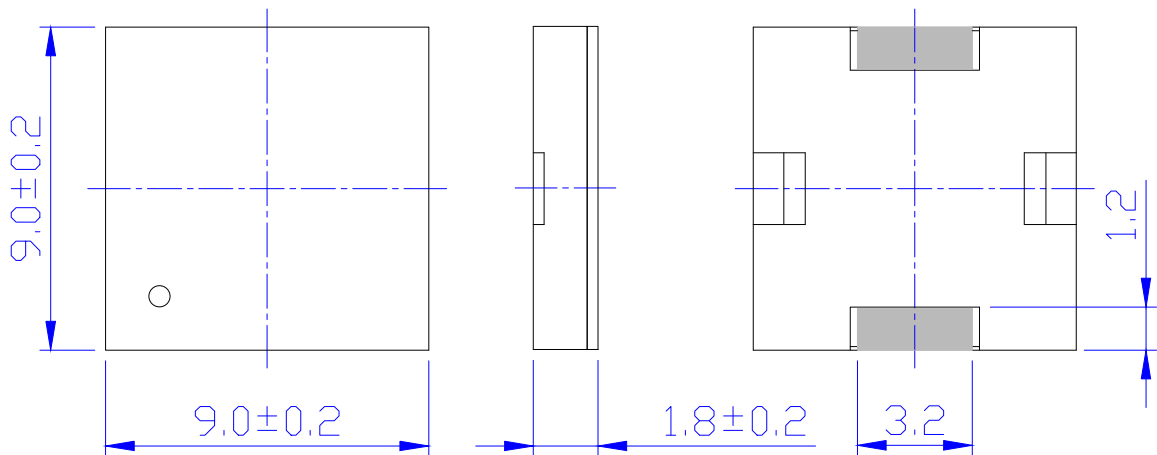
- Weight (Typical)
- Reliability

0.8g
 At 3 Vp-p, 1 minutes ON 1 minutes OFF in room temperature continuously for 1000 hours
 No function at +120+/-2°C for 240 hours; Function at +105+/-2°C for 240 hours
 No function at -40+/-2°C for 240 hours; Function at -40+/-2°C for 240 hours
 +40+/-2°C, 95+/-5%RH, 240 hours
 -30+/-2°C 0.5 hr → +25+/-2°C 0.25 hr → +105+/-2°C 0.5 hr → +25+/-2°C 0.25 hr. Temperature
 Go up or Drop time is 0.5 hr. 3 hrs per 1 cycle. Total is 5 cycles
 1.5mm with 10 to 50Hz of vibration frequency to each of 3 perpendicular directions for 2 hours
 980m/s² (=100g) shock for each mutually perpendicular directions, half sine wave, 3 times each
 Dropped naturally from 750mm height onto the surface of 10mm wooden board. 2 directions –
 upper and side of the part are applied
 Samples put through reflowing soldering oven 2 twice
 Samples put on PCB with solder paste through reflowing soldering oven 1 times
 For a period of one (1) year from date of manufacture under normal operations

Warranty

*All specifications must be satisfied after the test (Recovery:2 to 4 hrs of recovery under the standard condition after the removal from test chamber).
 **90% min. soldering pads shall be with solder.(except the edge of pad)

Dimensions (Unit:mm, Tolerance: ±0.3mm)



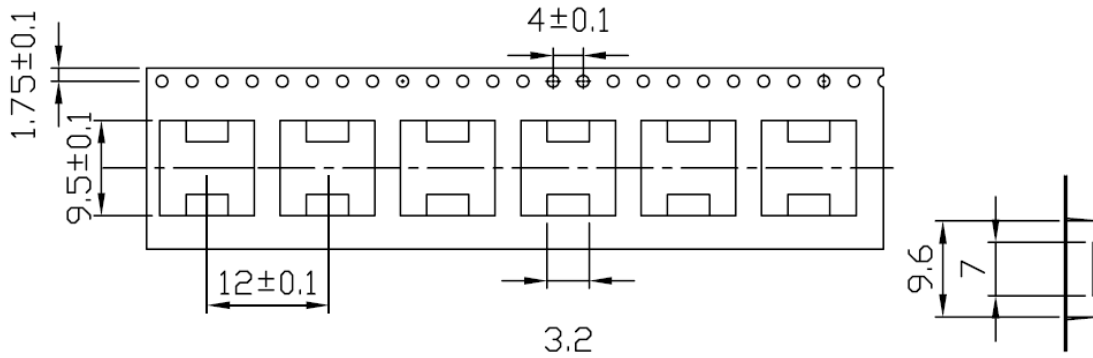
All specifications are subject to change without notice

Composed by: David Zhang/140704 Checked by: Johnny Zhu, James Zhu/140704 Approved by: William Wang/140704



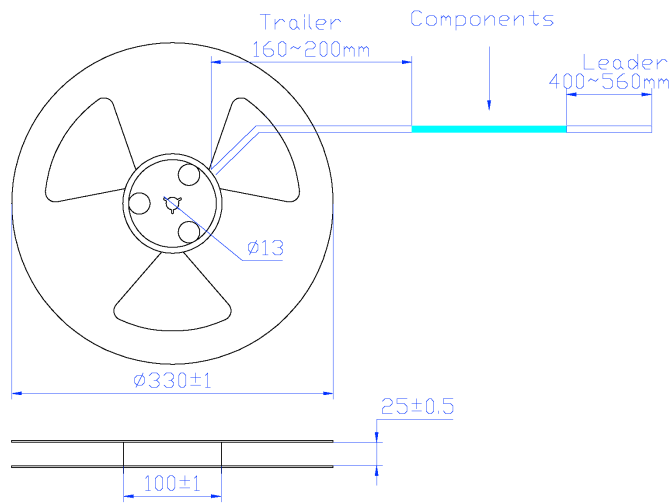
CHANGZHOU CHINASOUND ELECTRONICS CO., LTD.
 Tel: +86-519-86182518 Fax: +86-519-86182519
<http://www.chinasound.com>
 email: market@chinasound.com

Tape & Reel Dimensions (Unit:mm)

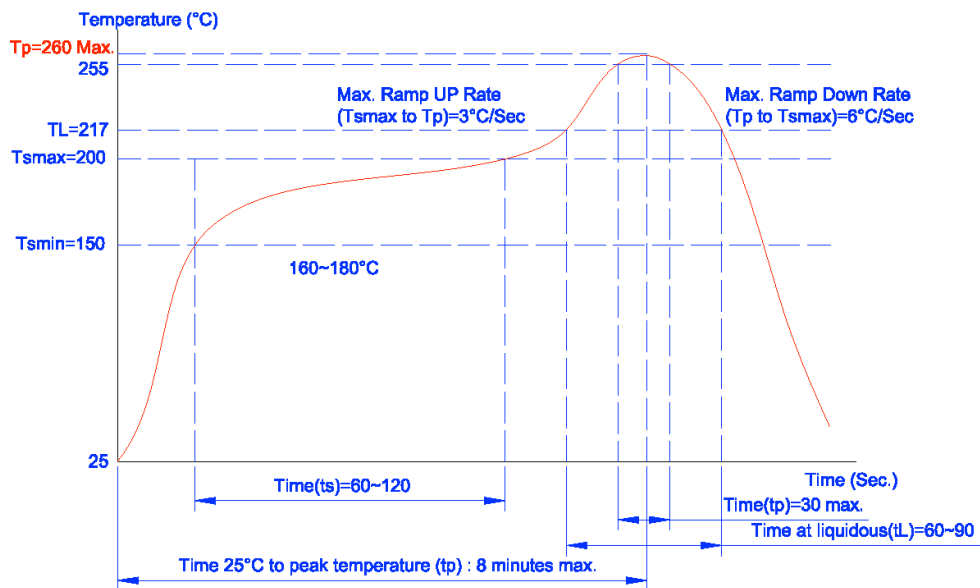


NOTE:

1. 10 sprocket hole pitch cumulative tolerance +/-0.20mm.
2. Carrier camber not to exceed 1 mm in 100 mm.
3. All dimensions meet EIA-481-2-A requirements.
4. Thickness: 0.40+/-0.05 mm.
5. Component loaded per 13" reel: suspend.



Recommend Reflowing Profile as per IPC/JEDEC J-STD-020D



All specifications are subject to change without notice

Composed by: David Zhang/140704 Checked by: Johnny Zhu, James Zhu/140704 Approved by: William Wang/140704

Revisions History

Version Number	Description	Name	Date
SP.1.04.067-A0	Original, CSPT09A03-2.1F	David Zhang	2014-07-04

Composed by: David Zhang/140704 Checked by: Johnny Zhu, James Zhu/140704 Approved by: William Wang/140704

ChinaSound

CHANGZHOU CHINASOUND ELECTRONICS CO., LTD.

Tel: +86-519-86182518 Fax: +86-519-86182519

<http://www.chinasound.com>

email: market@chinasound.com