

**Specifications**

<u>Model Ref.</u>	<u>Temp.</u>	<u>UL/VDE Ratings</u>	<u>Endurance (min)</u>
MQS- 1	40T85	5A 125/250VAC (UL) 3A 250VAC (VDE)	50,000 cycles
MQS-14	40T125	10(2)A 125/250VAC	10,000 cycles
MQS-15	40T85	10(2)A 125/250VAC	10,000 cycles
MQS-16	40T125	0.1A 125/250VAC	50,000 cycles
MQS-17	40T85	0.1A 125/250VAC	50,000 cycles
MQS-18	40T125	5A 125/250VAC	50,000 cycles
MQS-19	40T85	5A 125/250VAC	50,000 cycles
MQS-11	40T85	0.2A/48V DC *	500,000 cycles
MQS-1D	40T85	3A/24VDC *	100,000 cycles
MQS-1E	40T125	3A/24VDC *	100,000 cycles
Mechanical Life:		1,000,000 cycles	
Insulation Resistance:		100 MΩ min.	
Dielectric Strength:		1000VAC for 60 +/- 5 sec	
Housing:		UL 94V0 Thermoplastic	



Ordering qty: 200pcs  
Switch with lever: 1000pcs

**Ordering Instructions**

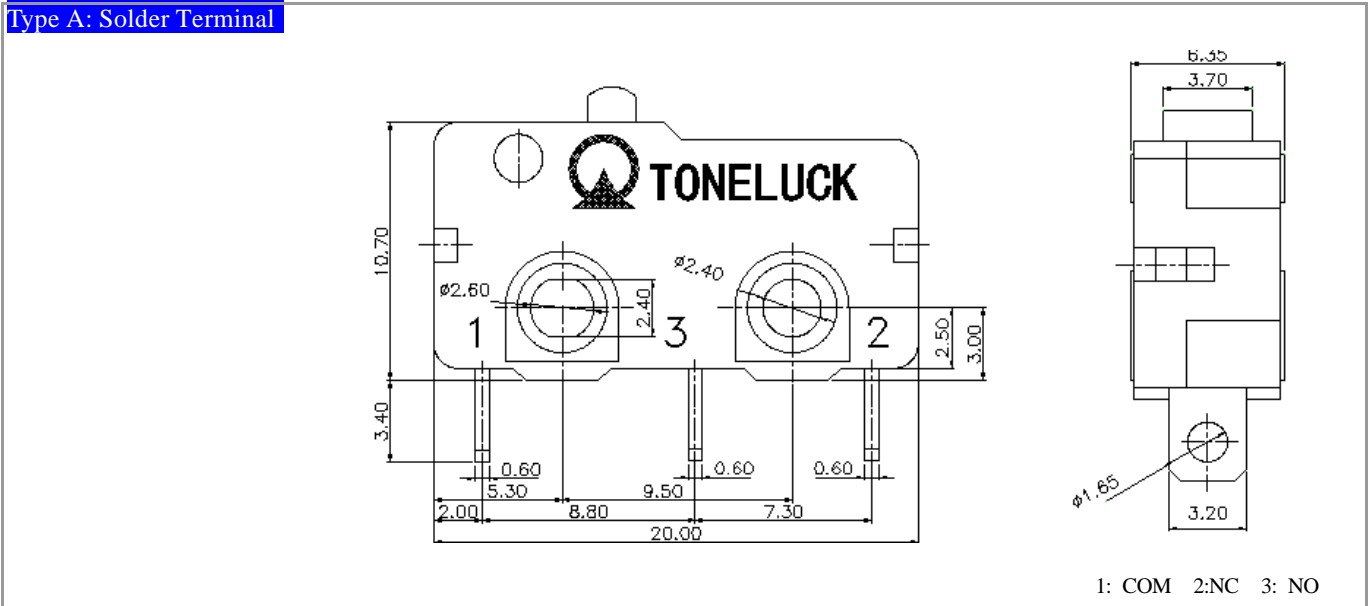
<b>MQS-14</b>	<b>A</b>	<b>P</b>	<b>F2</b>	<b>01</b>	<b>-</b>	<b>S</b>	<b>01</b>
---------------	----------	----------	-----------	-----------	----------	----------	-----------

Type Ref.	<u>Circuitry</u>	<u>Terminals Type</u>	<u>Op. force</u>	<u>Lever Type</u>	<u>Contact Plating</u>	<u>Versions</u>
	A=SPDT	P= PCB terminals (straight)	F1	01, 02, 03 .99	S= Std. Silver	Standard: 01
	B=SPST -NC	A= Solder terminals	F2	B1, B2, B3 .ZZ	G= Gold over silver.	Custom-made: 02, 03 ...
	C=SPST -NO	B= PCB terminal (right bent)	F3	etc.	(other spec:	(Default: 01)
		C= PCB terminal (left bent)	F4	(no lever: 00)	A, B, C ..)	
		D= Quick Connect terminals				

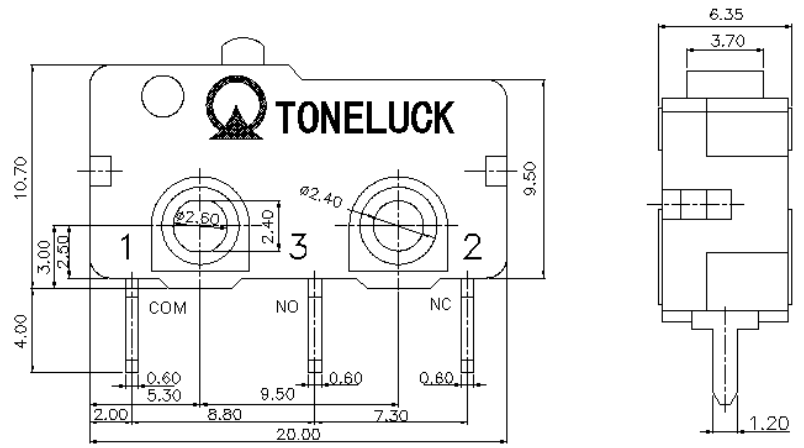
\* MQS-14/MQS-15: only F4 is available  
\* MQS-11/1D/1E: Low voltage devices, no UL/VDE marks

**Terminal Types**

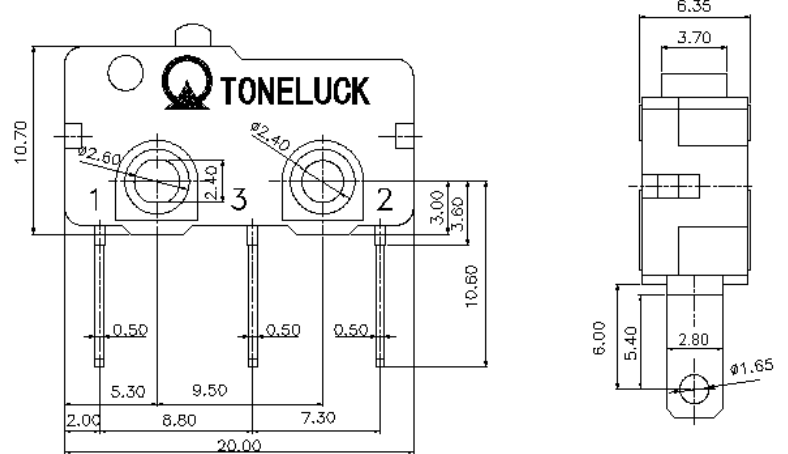
Type A: Solder Terminal



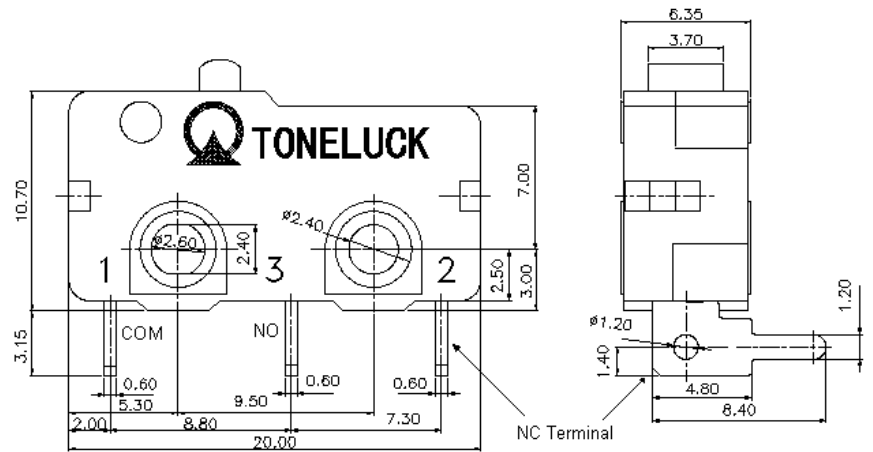
Type P: PCB Terminal



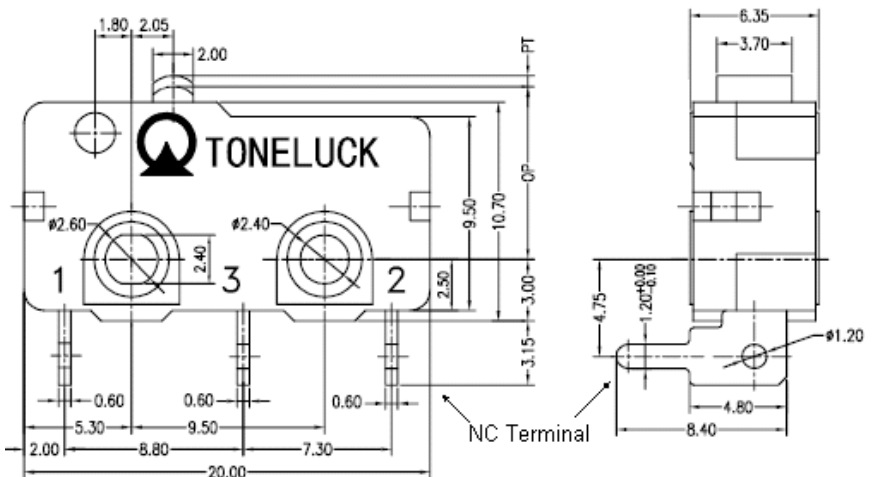
Type D: Quick Connect Terminal



Type B: PCB Terminal (Right Bent)



Type C: PCB Terminal (Left Bent)



## Standard Levers

lever type	Drawing & dimensions	OF (gf)	RF (gf) Max	OP (mm)	PT(mm) Max	OT(mm) Min	MD (mm)Max	FP (mm) max
00		F1= 80 ± 20	10	8.4±0.3	0.6	0.5	0.2	-
		F2=130 ± 30	25	8.4±0.3	0.6	0.5	0.2	-
		F3=160 ± 30	35	8.4±0.3	0.6	0.5	0.2	-
		F4=230 ± 40	55	8.4±0.3	0.6	0.5	0.2	-
01		F1=20 ± 10	5	9.4±1.0	3.0	1.0	1.0	12.5
		F2=30 ± 10	5	9.4±1.0	3.0	1.0	1.0	12.5
		F3=40 ± 15	8	9.4±1.0	3.0	1.0	1.0	12.5
		F4=50 ± 20	10	9.4±1.0	3.0	1.0	1.0	12.5
02		F1=25 ± 10	5	9.4±1.0	3.0	1.0	1.0	12.5
		F2=35 ± 15	5	9.4±1.0	3.0	1.0	1.0	12.5
		F3=45 ± 15	8	9.4±1.0	3.0	1.0	1.0	12.5
		F4=65 ± 20	15	9.4±1.0	3.0	1.0	1.0	12.5
03		F1= 10 ± 5	2	10.0±1.5	3.7	1.5	2.0	13.7
		F2=20 ± 10	5	10.0±1.5	3.7	1.5	2.0	13.7
		F3=25 ± 10	5	10.0±1.5	3.7	1.5	2.0	13.7
		F4=35 ± 10	5	10.0±1.5	3.7	1.5	2.0	13.7
04		F1=40 ± 15	8	9.0±0.8	1.8	0.5	0.8	10.8
		F2=65 ± 20	15	9.0±0.8	1.8	0.5	0.8	10.8
		F3=100 ± 30	25	9.0±0.8	1.8	0.5	0.8	10.8
		F4=120 ± 30	30	9.0±0.8	1.8	0.5	0.8	10.8
05		F1=30 ± 10	8	9.2±0.8	2.8	0.5	0.8	11.3
		F2=40 ± 20	10	9.2±0.8	2.8	0.5	0.8	11.3
		F3=60 ± 20	15	9.2±0.8	2.8	0.5	0.8	11.3
		F4=75 ± 25	25	9.2±0.8	2.8	0.5	0.8	11.3

lever type	Drawing & dimensions	OF (gf)	RF (gf) Max	OP (mm)	PT(mm) Max	OT(mm) Min	MD (mm)Max	FP (mm) max
06		F1=15 ±10	5	15.0±0.8	2.5	1.0	1.0	17.5
		F2=30 ± 10	5	15.0±0.8	2.5	1.0	1.0	17.5
		F3=40 ±15	8	15.0±0.8	2.5	1.0	1.0	17.5
		F4=55 ±20	15	15.0±0.8	2.5	1.0	1.0	17.5
07		F1=20 ± 10	5	10.8±0.8	2.6	1.0	1.0	13.6
		F2=35 ± 15	5	10.8±0.8	2.6	1.0	1.0	13.6
		F3=45 ± 15	10	10.8±0.8	2.6	1.0	1.0	13.6
		F4=65 ± 20	15	10.8±0.8	2.6	1.0	1.0	13.6
08		F1=30 ± 15	5	12.0±1.0	3.0	0.8	0.8	14.5
		F2=40 ± 15	8	12.0±1.0	3.0	0.8	0.8	14.5
		F3=50 ±20	15	12.0±1.0	3.0	0.8	0.8	14.5
		F4=65 ±20	20	12.0±1.0	3.0	0.8	0.8	14.5
09		F1=25 ± 10	5	12.5±0.8	2.5	0.6	0.8	15.2
		F2=40 ± 15	8	12.5±0.8	2.5	0.6	0.8	15.2
		F3=50 ± 20	15	12.5±0.8	2.5	0.6	0.8	15.2
		F4=65 ± 20	20	12.5±0.8	2.5	0.6	0.8	15.2
10		F1=12gf (max)	3	15.5±2.0	5.5	2.0	2.5	22.0

lever type	Drawing & dimensions	OF (gf)	RF (gf) Max	OP (mm)	PT(mm) Max	OT(mm) Min	MD (mm)Max	FP (mm) max
<b>11</b>		F1=20 ± 10	5	13.0±0.8	2.5	1.0	1.0	15.3
		F2=40 ± 15	5	13.0±0.8	2.5	1.0	1.0	15.3
		F3=50 ± 20	10	13.0±0.8	2.5	1.0	1.0	15.3
		F4=65 ± 20	15	13.0±0.8	2.5	1.0	1.0	15.3
<b>12</b>		F1=20 ± 10	5	13.8±1.0	2.5	0.8	1.0	16.4
		F2=40 ± 15	8	13.8±1.0	2.5	0.8	1.0	16.4
		F3=50 ± 20	10	13.8±1.0	2.5	0.8	1.0	16.4
		F4=65 ± 20	15	13.8±1.0	2.5	0.8	1.0	16.4

Note: For more levers, please contact Toneluck or her sales representatives.