

## Thin type COBP Photo Diode

### ■FEATURES

- Leadless surface mount type: 1.2 X 1.7 X 0.5mm
- Sensitive peak wavelength: 850nm
- Corresponding to infrared light from the blue-violet light
- Active area: 0.7mm X 0.7mm
- Pb free solder re-flowing permitted: 260°C, 2times
- Pb free, Halogen free
- Conformity to RoHS directive

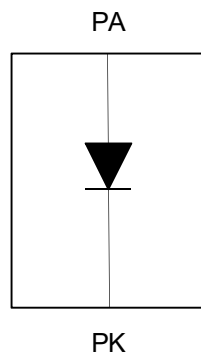
### ■GENERAL DESCRIPTION

The NJL6193R-3 is the photodiode sensor capable of detecting light in a wide wavelength range of up to infrared light from the blue-violet light. A thin and small package of COBP is adopted, and providing high efficient space-saving.

### ■APPLICATION

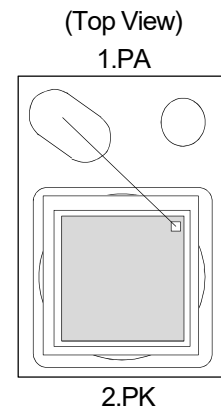
- Heart rate monitoring of Wearable Devices (In-Ear phone, Smart watch, Fitness Tracker etc.)
- Mobile Devices
- Optical switch

### ■EQUIVALENT CIRCUIT - BLOCK DIAGRAM



### ■PIN CONFIGURATION

PIN NO.	SYMBOL	DESCRIPTION
1	PA	Anode
2	PK	Cathode



### ■ORDERING INFORMATION

PART NUMBER	PACKAGE OUTLINE	RoHS	HALOGEN-FREE	TERMINAL FINISH	MARKING	WEIGHT (mg)	MOQ(pcs)
NJL6193R-3	COBP	✓	✓	Au	No marking	2.1	3,000

## ■ABSOLUTE MAXIMUM RATINGS

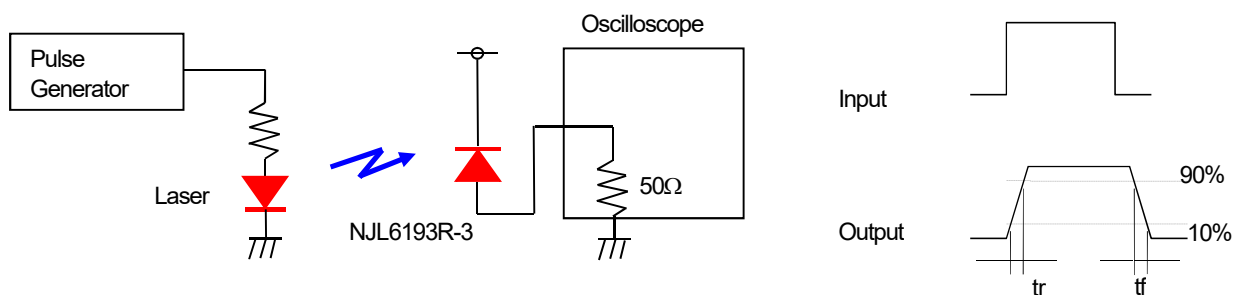
PARAMETER	SYMBOL	RATINGS	UNIT
Reverse Voltage	$V_R$	35	V
Operating Temperature Range	$T_{opr}$	-30 to +85	°C
Storage Temperature Range	$T_{stg}$	-40 to +100	°C
Reflow Soldering Temperature	$T_{sol}$	260	°C

## ■ELECTRICAL CHARACTERISTICS ( $T_a=25\text{ }^\circ\text{C}$ )

PARAMETER	SYMBOL	TEST CONDITION	MIN.	TYP.	MAX.	UNIT
Dark Current	$I_D$	$V_R=10\text{V}$	—	0.1	2.0	nA
Forward Voltage	$V_F$	$I_F=1\text{mA}$	—	—	1.0	V
Capacitance	$C_t$	$V_R=0\text{V}, f=1\text{MHz}$	—	40	—	pF
		$V_R=2.5\text{V}, f=1\text{MHz}$	—	20	—	pF
Peak Wavelength	$\lambda_P$	—	—	850	—	nm
Sensitivity	$S$	$V_R=2.5\text{V}, \lambda=940\text{nm}$	0.20	0.48	—	AWW
Rise time, Fall time	$t_r/t_f$	$V_R=2.5\text{V}, R_L=50\Omega, P_o=1\text{mW}, 10\text{-}90\%, \lambda=950\text{nm},$	—	10	—	ns

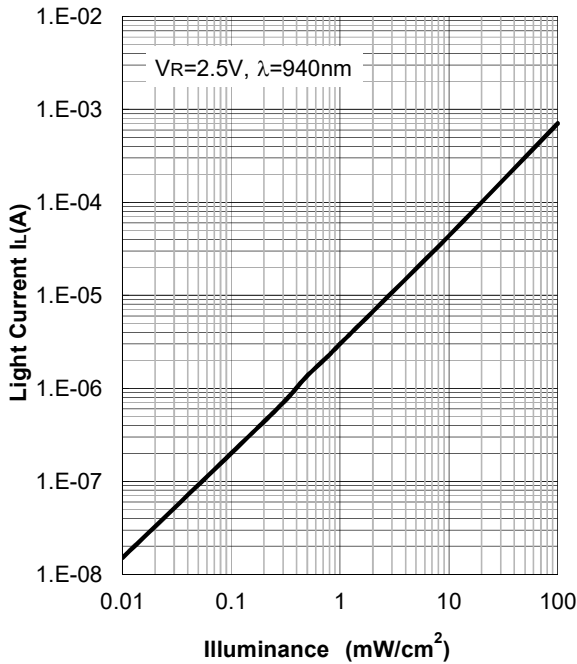
Note: In the Electro-Optical characteristics table, items that are showed only the typical value are not tested in manufacturing process.

## ■RESPONSE TEST CONDITION

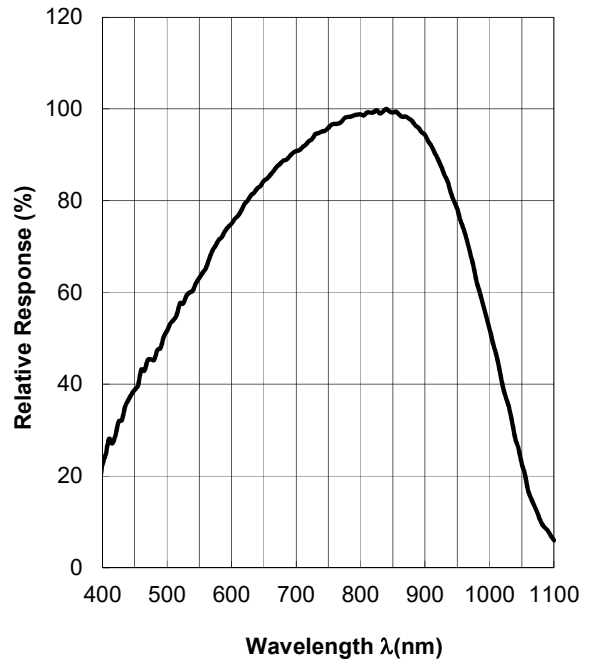


## ■ TYPICAL CHARACTERISTICS

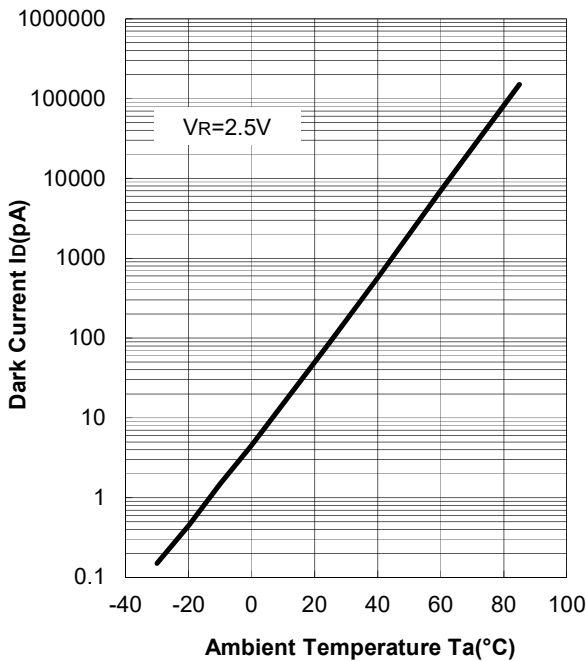
Light Current vs. Illuminance  
( $T_a=25^\circ\text{C}$ )



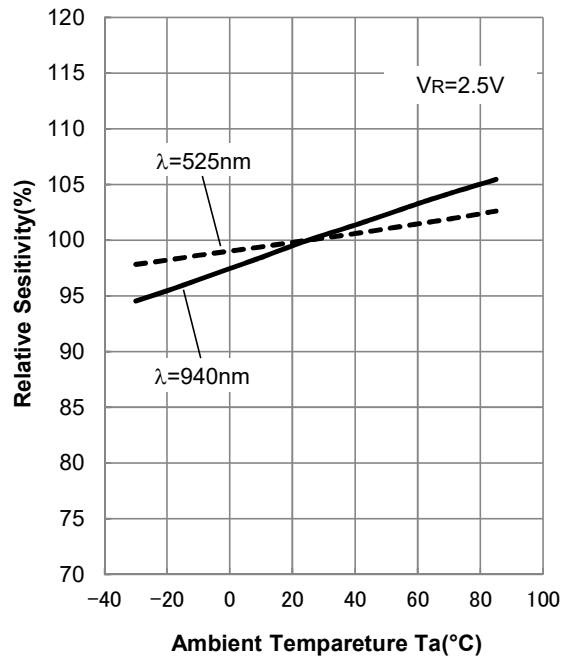
Spectral Response ( $T_a=25^\circ\text{C}$ )



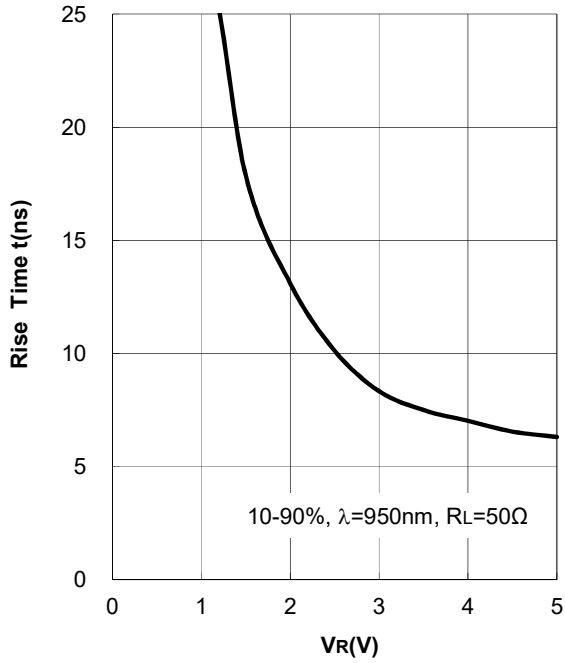
Dark Current vs. Temperature



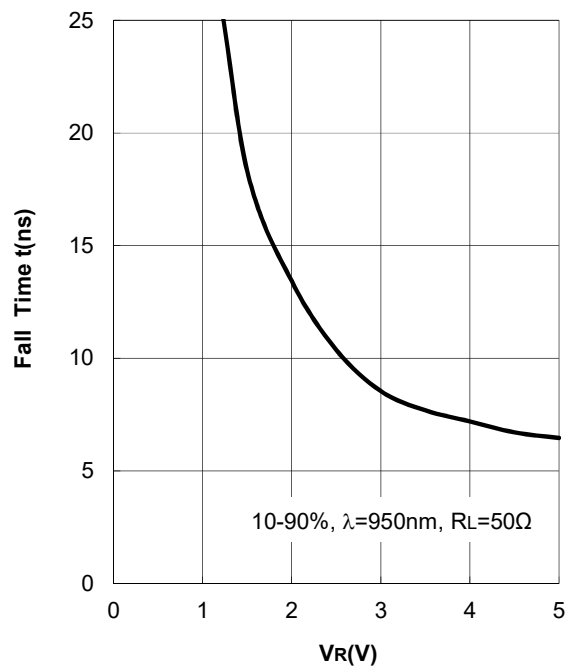
Relative Sensitivity vs. Temperature



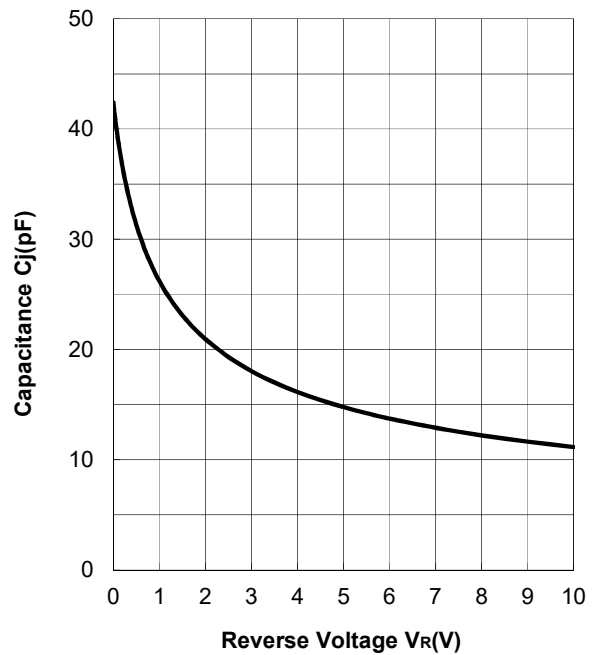
**Rise Time vs. Reverse Voltage**  
( $T_a=25^\circ\text{C}$ )



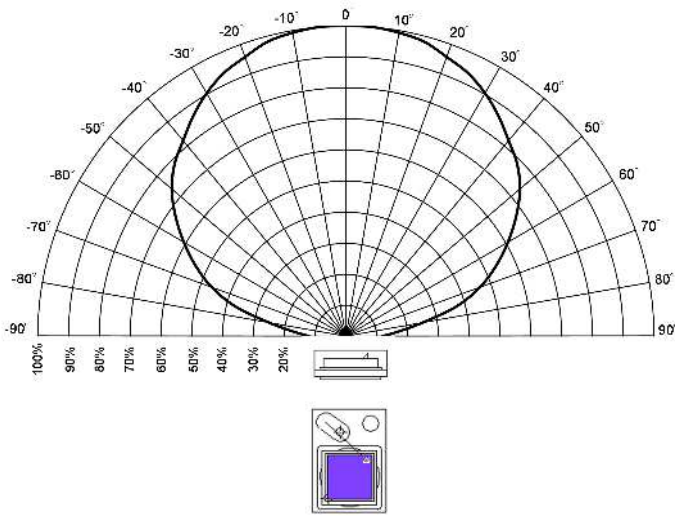
**Fall Time vs. Reverse Voltage**  
( $T_a=25^\circ\text{C}$ )



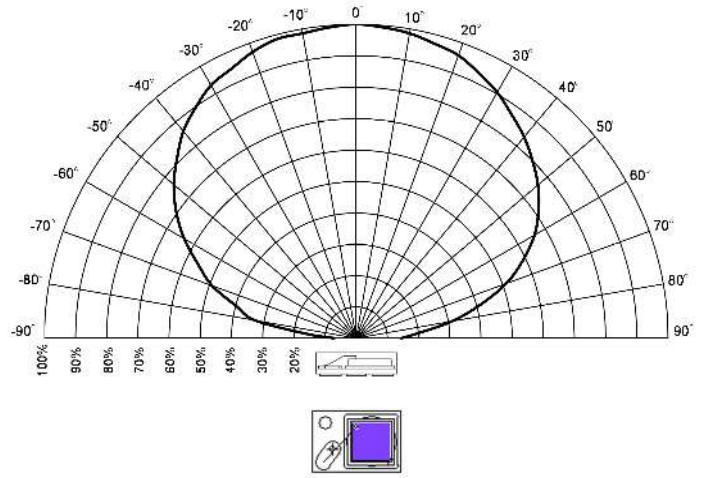
**Capacitance vs. Reverse Voltage**  
( $T_a=25^\circ\text{C}$ )



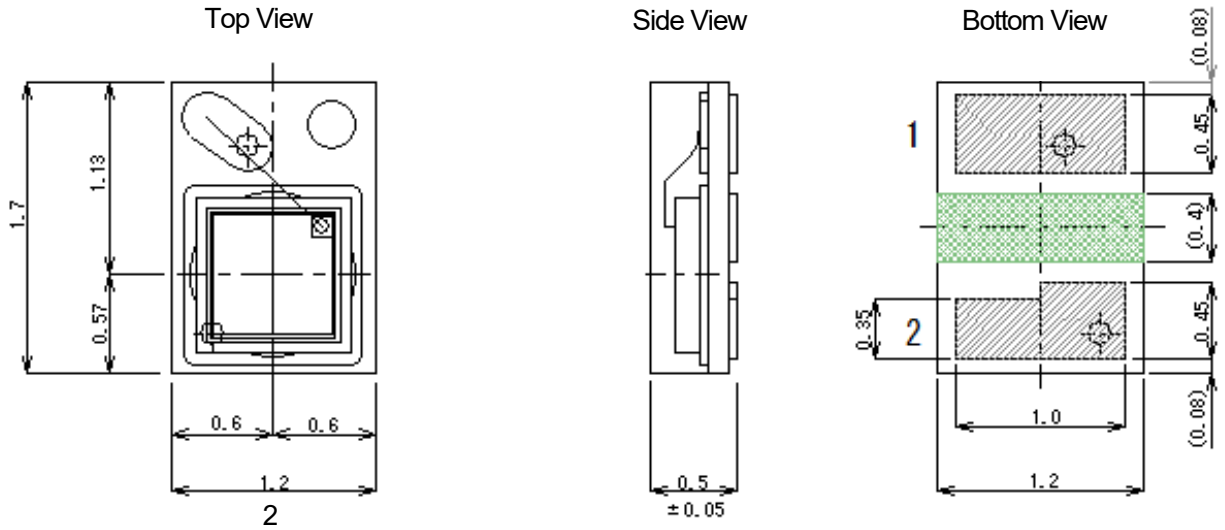
### Directivity at Package direction X



### Directivity at Package direction Y

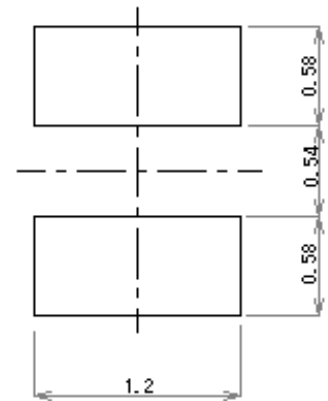


■PACKAGE OUTLINE unit:mm

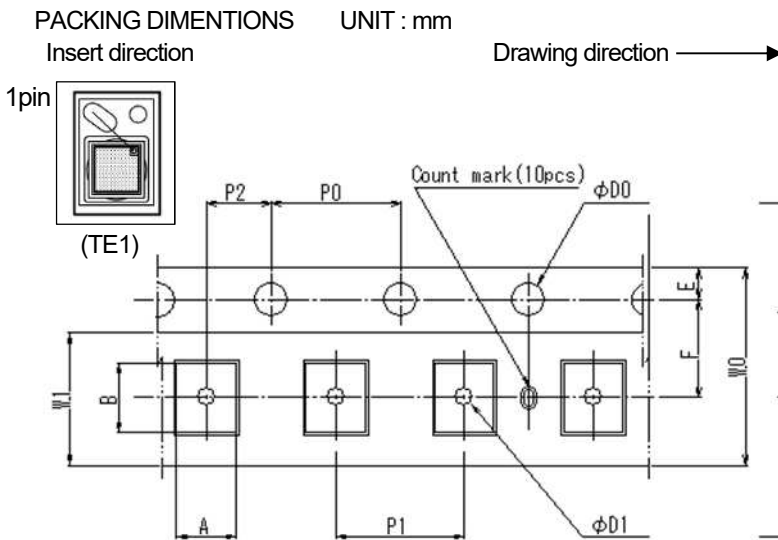


- 1: PA      Unspecified tolerance :  $\pm 0.1\text{mm}$
- 2: PK      Dimensions in parenthesis are shown for reference.

Foot Pattern



## PACKING SPECIFICATION



SYMBOL	DIMENSION	REMARKS
A	1.50 ±0.05	BOTTOM DIMENSION
B	2.00 ±0.05	BOTTOM DIMENSION
D0	φ1.50 +0.10/-0	
D1	φ0.50 ±0.05	
E	1.75 ±0.10	
F	3.50 ±0.05	
P0	4.00 ±0.10	
P1	4.00 ±0.10	
P2	2.00 ±0.05	
T0	0.20 ±0.05	
T1	0.67 ±0.05	
W0	8.00 ±0.10	
W1	5.40 ±0.10	THICKNESS 0.1MAX

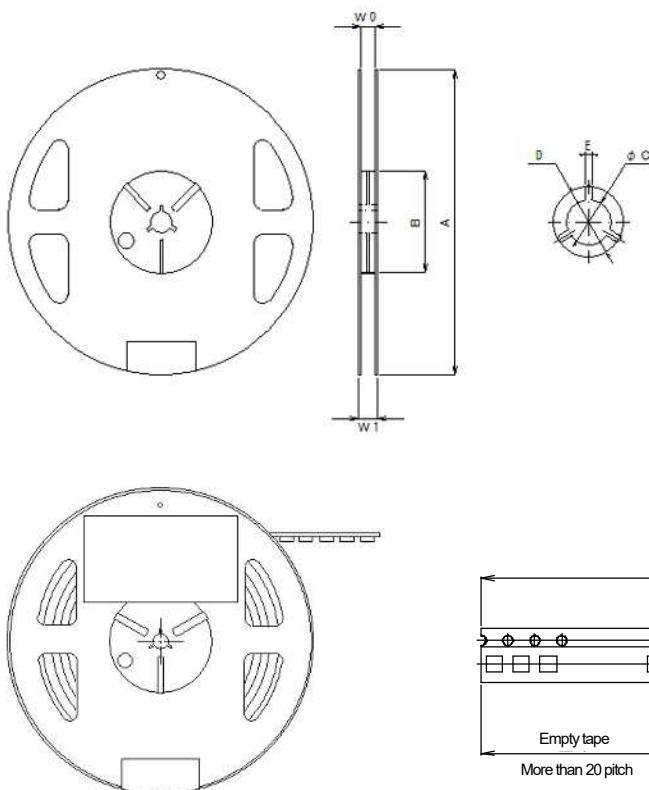
\* Carrier tape material : Polycarbonate(antistatic)  
Cover tape material : PET(antistatic)

## Taping Strength

There is a peel strength in the range of 0.2 to 0.7N when was peeled at a rate of 300mm per minute in opening angle 165 to 180° between the carrier tape and the cover tape.

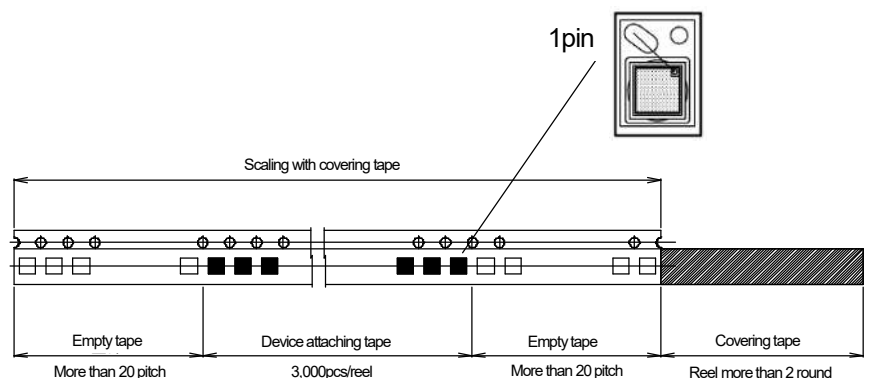
## Packaging

- 1) The taped products are to be rolled up on the taping reel as on the drawing.
- 2) Rolling up specification
  - 2-1) Start rolling : Carrier tape open space more than 20 Pieces.
  - 2-2) End of rolling : Carrier tape open space more than 20 Pieces, and 2 round of reel space at the cover tape only.
- 3) Taping quantity : 3,000 Pieces
- 4) Seal off after putting each reels in a damp proof bag with silica gel.



SYMBOL	DIMENSION	REMARKS
A	φ180.0 +0/-1.0	
B	φ60.0 +1.0/-0	
C	φ13.0 ±0.2	
D	φ21.0 ±0.8	
E	2.0 ±0.5	
W0	9.0 ±0.3	INNER DIMENSION
W1	11.4 ±1.0	OUTER DIMENSION

\* Reel material : PS(antistatic)



## ■ RECOMMENDED MOUNTING METHOD

### NOTE

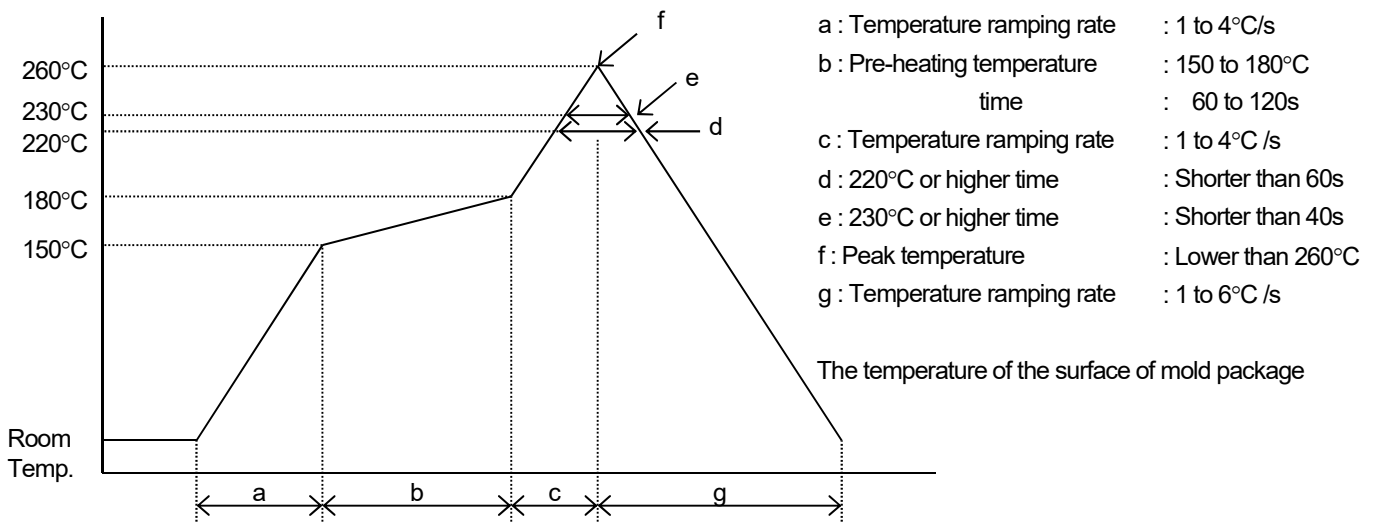
Mounting was evaluated with the following profiles in our company, so there was no problem.  
However, confirm mounting by the condition of your company beforehand.

The exposure of device under higher temperature many affect to the reliability of the products, it is recommended to complete soldering in the shortest time possible.

Mounting: Two Times soldering is allowed.

## ■ INFRARED REFLOW SOLDERING METHOD

Recommended reflow soldering procedure



(NOTE1) Using reflow furnace with short wave infrared radiation heater such as halogen lamp

Regarding temperature profile, please refer to those fo reflow furnace.

In this case the resin surface temperature may become higher than lead terminals due to endothermic ally of black colored mold resin. Therefore, please avoid from direct exposure to mold resin.

(NOTE2) Other method

Such other methods of soldering as dipping the device into melted solder and vapor phase method (VPS) are not appropriate because the body of device will be heated rapidly. Therefore, these are not recommended to apply.

(NOTE3) The resin gets softened right after soldering, so, the following care has to be taken

Not to contact the lens surface to anything.

Not to dip the device into water or any solvents.

## ■ FLOE SOLDERING METHOD

Flow soldering is not possible.

## ■ IRON SOLDERING METHOD

Iron soldering is not possible.



**■ CLEANING**

Avoid washing the device after soldering by reflow method.

**■ IC STORAGE CONDITIONS AND ITS DURATION****(1) Temperature and humidity ranges**

Pack Sealing	Temperature:	5 to 40 [°C]
	Humidity:	40 to 80 [%]
Pack Opening	Temperature:	5 to 30 [°C]
	Humidity:	40 to 70 [%]

After opening the bag, solder products within 48h.

Avoid a dry environment below 40% because the products are easily damageable by the electrical discharge.

Store the products in the place where it does not create dew with the products due to a sudden change in temperature.

(2) When baking, place the reel vertically to avoid load to the side.

(3) Do not store the devices in corrosive-gas atmosphere.

(4) Do not store the devices in a dusty place.

(5) Do not expose the devices to direct rays of the sun.

(6) Do not allow external forces or loads to be applied to IC's.

(7) Be careful because affixed label on the reel might be peeled off when baking.

(8) The product is recommended to do the baking before using for the stability of the quality.

**■ BAKING**

In case of keeping expect above condition be sure to apply baking.

Baking method: Ta=60°C, 48 to 72h, One time baking is allowed

**■ STORAGE DURATION**

Within a year after delivering this device.

For the products stored longer than a year, confirm their terminals and solderability before they are used.

**■ APPLICATION NOTES**

When using the laser diode in the vicinity of  $\lambda=405\text{nm}$ , there is the restriction in terms of use.

Please be careful in the case of the use.

**■ MOISTURE SENSITIVITY LEVELS**

JEDEC : Level 5

## [ CAUTION ]

1. New JRC strives to produce reliable and high quality semiconductors. New JRC's semiconductors are intended for specific applications and require proper maintenance and handling. To enhance the performance and service of New JRC's semiconductors, the devices, machinery or equipment into which they are integrated should undergo preventative maintenance and inspection at regularly scheduled intervals. Failure to properly maintain equipment and machinery incorporating these products can result in catastrophic system failures
2. The specifications on this datasheet are only given for information without any guarantee as regards either mistakes or omissions. The application circuits in this datasheet are described only to show representative usages of the product and not intended for the guarantee or permission of any right including the industrial rights. All other trademarks mentioned herein are property of their respective companies.
3. To ensure the highest levels of reliability, New JRC products must always be properly handled. The introduction of external contaminants (e.g. dust, oil or cosmetics) can result in failures of semiconductor products.
4. New JRC offers a variety of semiconductor products intended for particular applications. It is important that you select the proper component for your intended application. You may contact New JRC's Sale's Office if you are uncertain about the products listed in this catalog.
5. Special care is required in designing devices, machinery or equipment which demand high levels of reliability. This is particularly important when designing critical components or systems whose failure can foreseeably result in situations that could adversely affect health or safety. In designing such critical devices, equipment or machinery, careful consideration should be given to amongst other things, their safety design, fail-safe design, back-up and redundancy systems, and diffusion design.
6. The products listed in the catalog may not be appropriate for use in certain equipment where reliability is critical or where the products may be subjected to extreme conditions. You should consult our sales office before using the products in any of the following types of equipment.

Aerospace Equipment  
Equipment Used in the Deep Sea  
Power Generator Control Equipment (Nuclear, Steam, Hydraulic)  
Life Maintenance Medical Equipment  
Fire Alarm/Intruder Detector  
Vehicle Control Equipment (airplane, railroad, ship, etc.)  
Various Safety devices

7. New JRC's products have been designed and tested to function within controlled environmental conditions. Do not use products under conditions that deviate from methods or applications specified in this catalog. Failure to employ New JRC products in the proper applications can lead to deterioration, destruction or failure of the products. New JRC shall not be responsible for any bodily injury, fires or accident, property damage or any consequential damages resulting from misuse or misapplication of its products. Products are sold without warranty of any kind, either express or implied, including but not limited to any implied warranty of merchantability or fitness for a particular purpose.
8. Warning for handling Gallium and Arsenic (GaAs) Products (Applying to GaAs MMIC, Photo Reflector). This Products uses Gallium (Ga) and Arsenic (As) which are specified as poisonous chemicals by law. For the prevention of a hazard, do not burn, destroy, or process chemically to make them as gas or power. When the product is disposed, please follow the related regulation and do not mix this with general industrial waste or household waste.
9. The product specifications and descriptions listed in this catalog are subject to change at any time, without notice.

