

6

5

4

3

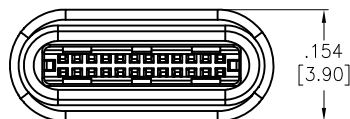
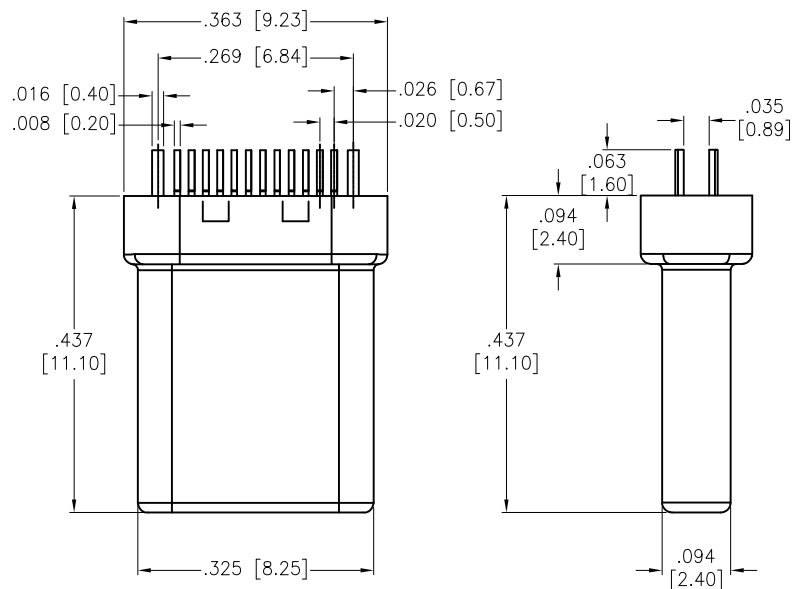
2

1

APPROVED: \_\_\_\_\_

DATE: \_\_\_\_\_ TITLE: \_\_\_\_\_

Rev	AWO #	Description	Date	Appr
-		RELEASED	10/1/15	
A		REVISED DIM.	10/19/15	HR/AY1



**SPECIFICATIONS:**  
 Material:  
 Insulator: Hi-temp thermoplastic, rated UL 94V-0  
 Insulator color: Black  
 Contacts: Phosphor Bronze  
 Shell: Stainless Steel, Nickel plated  
 Ground Latch: Stainless Steel, Nickel plated  
 Spring: Stainless Steel  
 Plating:  
 Gold flash over Nickel underplate on contact area,  
 Tin over Nickel underplate on solder tails  
 Electrical:  
 Current rating: 0.5A  
 Contact resistance: 30 mohms max  
 Insulation resistance: 100 Mohms min @ 250 VDC.  
 Dielectric withstanding: 250 VAC for 1 minute  
 Mechanical:  
 Insertion force: 3.57kgf max.  
 Withdrawal force: 1.02kgf min.  
 Durability: 10,000 Cycles  
 Temperature Rating:  
 Operating temperature: -30°C to +80°C  
 Environmental:  
 Lead free, RoHS compliant.



UNLESS OTHERWISE SPECIFIED  
 ALL DIMENSIONS ARE INCHES [MM]  
 TOLERANCES: EXCEPT AS NOTED

INCHES		HOLES	
.X	± .10	∅.X	± .10
.XX	± .020	∅.XX	± .015
.XXX	± .015	∅.XXX	± .010

# ADAM TECH

909 Rahway Avenue, Union, NJ 07083  
Phone: 908-687-5000 Fax: 908-687-5710

TITLE UNIVERSAL SERIAL BUS, TYPE C, MALE PLUG,  
STRADDLE MOUNT, BLACK INSULATOR

APPROVALS		DATE
DRAWN	HR	10/1/15
CHECKED	AC	10/1/15
APPROVED		

SIZE	PART NO.	REV.
X	USB-C31-PLUG-C-BK-PCB-X	A

REF: S00097C SCALE: NTS SHEET 1 OF 2

6

5

4

3

2

1