

A close-up photograph of a person's hands and forearms. They are wearing a blue smartwatch on their left wrist and white earbuds. The person is looking down at their wrist, possibly checking the time or a notification. The background is a blurred cityscape with tall buildings.

## MEMS Timing Solutions for **Mobile and IoT**

- Extensive portfolio
- Enables longer battery life
- Ultra-small footprint
- Better performance and higher stability in harsh environments
- Programmable, instant samples, shorter lead time

A small part from  
SiTime runs a big  
part of your world



Smartphone &amp; Mobile Accessories

### SiT1532 Oscillators and SiT1566, SiT1572, SiT1576, SiT1580 TCXOs

- Smallest footprint | 1.5 x 0.8 mm chip scale package
- Drives multiple loads | Optimized BOM & smaller form factor
- High integration | Optimized BOM & smaller form factor



Smart Watch

### SiT1532 Oscillators and SiT1552, SiT1580 TCXOs

- Low power |  $< 1 \mu\text{A}$ , NanoDrive™ output to optimize swing
- Smallest footprint | 1.5 x 0.8 mm chip scale package
- High robustness | Immune to small molecular gasses



Fitness Tracker

### SiT1532, SiT1534 Oscillators and SiT1566, SiT1552 TCXOs

- Low power |  $< 1 \mu\text{A}$ , NanoDrive™ output to optimize swing
- Smallest footprint | 1.5 x 0.8 mm chip scale package
- 3 ppm stability | Higher accuracy enables longer sleep mode



Stylus &amp; Tablets

### SiT1569, SiT8021 Oscillators and SiT1566, SiT1580 TCXOs

- 3 ppm stability | Higher accuracy enables longer sleep mode
- Smallest footprint | 1.5 x 0.8 mm chip scale package
- 1 Hz to 2.5 MHz frequency | Wide range of custom frequencies



Glasses/VR

### SiT1532, SiT1579 Oscillators and SiT1576 TCXOs

- Smallest footprint | 1.5 x 0.8 mm chip scale package
- Drives multiple loads | Optimized BOM
- 1 Hz to 2.5 MHz frequency | Wide range of custom frequencies

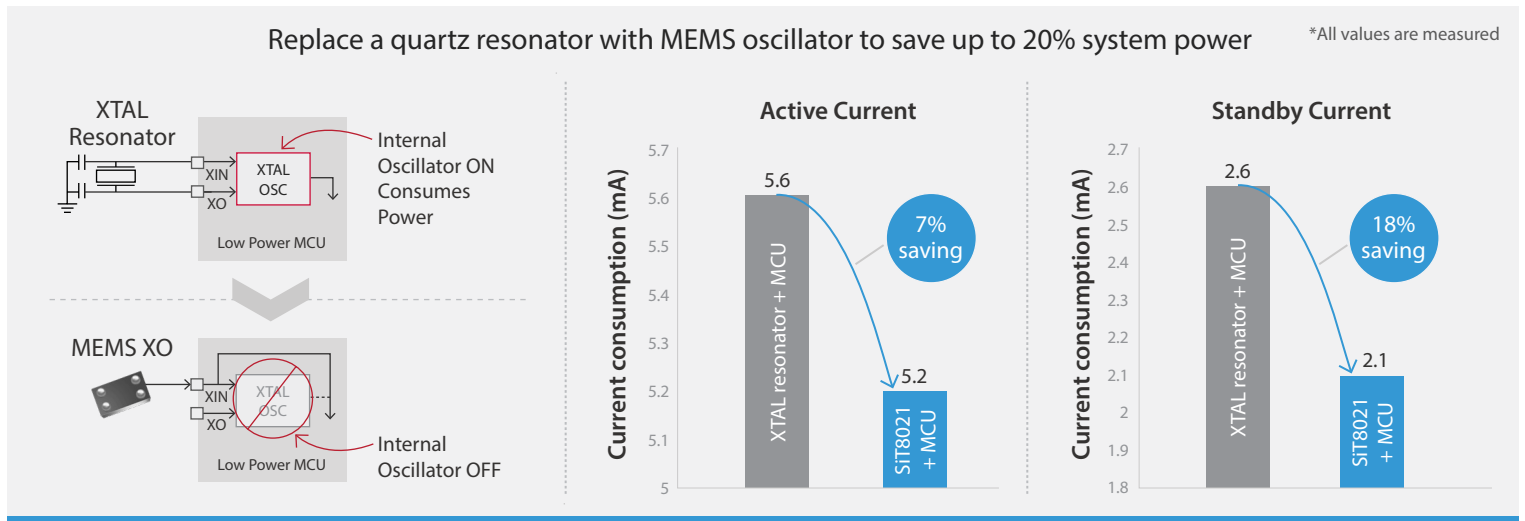


Remote Sensing

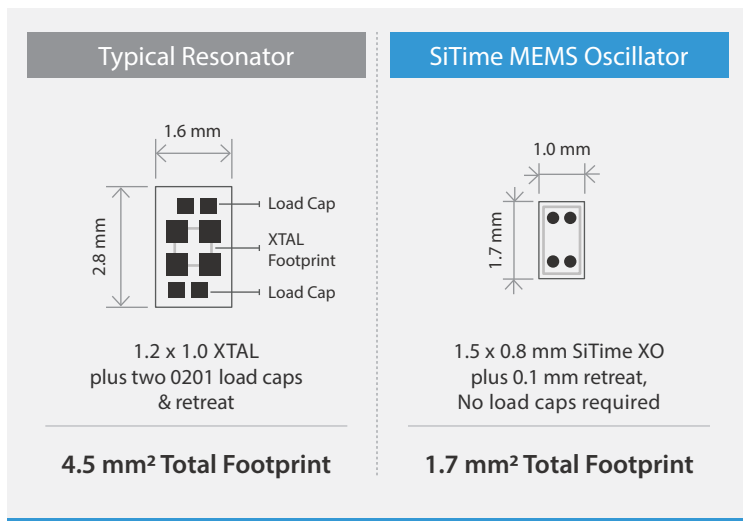
### SiT1532, SiT1579 Oscillators and SiT1576, SiT1580 TCXOs

- 1 Hz to 2.5 MHz frequency | Wide range of custom frequencies
- Package options | 1.5 x 0.8 mm CSP, QFN, SoT23
- High reliability | Low DPPM

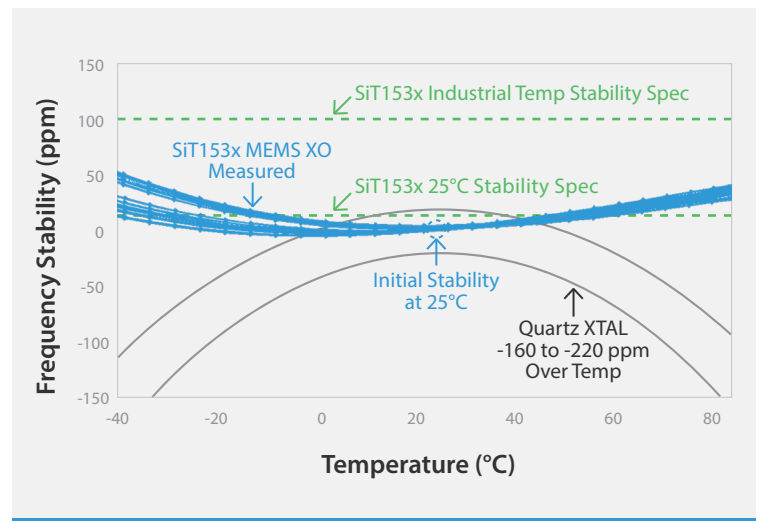
## Lower Power



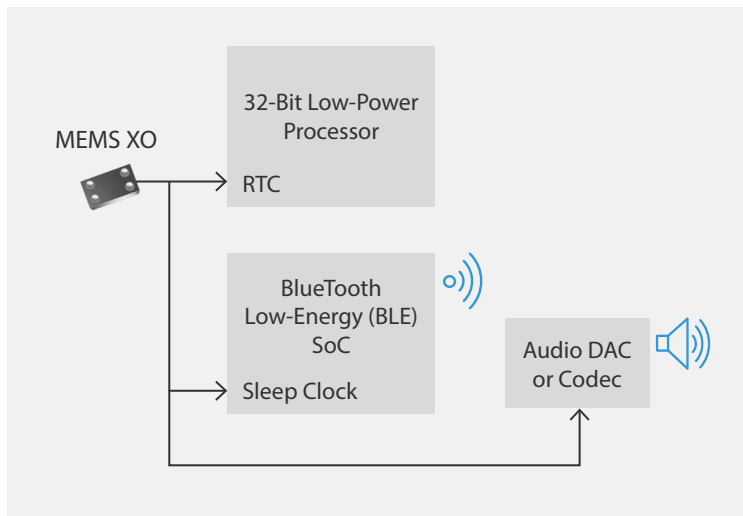
## Smallest Size, Lower BOM



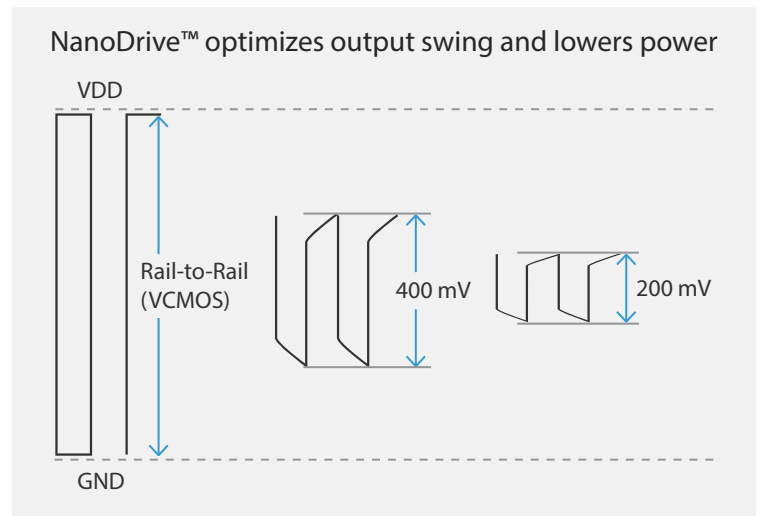
## Best 32 kHz Stability



## Drive Multiple Loads



## Low Power Feature



SiTime Base Part No.	Output Frequency	Frequency Stability (ppm)	Supply Volt. (V)	Supply Current (Typical)	Packages (mm x mm)	Output Logic	Features
<b>µPOWER 32 kHz OSCILLATORS</b>   Replace quartz XTAL/XO   Smallest size   Drive two or more loads   Higher accuracy   Better reliability							
SiT1532	32.768 kHz	75, 100, 250 over temp (10, 20 room temp)	1.2 to 3.63	0.90 µA	1508	NanoDrive, LVCMOS	Smallest XO, Field Programmable
SiT1533					2012		
SiT1572		±50	1.62 to 3.63	4.5 µA	1508	LVCMOS	Smallest XO, Field Programmable
SiT1573		±100					
SiT1630	32.768, 16.384 kHz	75, 100, 150 over temp (20 room temp)	1.5 to 3.63	1.0 µA	2012, SOT23-5	LVCMOS	-40 to +105°C, Field Programmable

<b>µPOWER 32 kHz TCXOs</b>   Replace quartz XTAL/TCXO   Smallest size   Drive two or more loads   Higher accuracy   Better reliability							
SiT1552 TCXO	32.768 kHz	±10, ±13, ±22, all-inclusive	1.5 to 3.63	0.99 µA	1508	NanoDrive, LVCMOS	Smallest TCXO, Field Programmable
SiT1566 Super-TCXO		±3, ±5, all-inclusive	1.62 to 3.63	4.5 µA		LVCMOS	Smallest XO, 2.5 ns RMS phase jitter, Field Programmable
SiT1568 Super-TCXO		±5 all-inclusive (after overmold/underfill)	1.8	4.5 µA			
SiT1580 TCXO							

<b>LOW POWER OSCILLATORS</b>   Smallest size   Lower power   Drive two or more loads   Higher accuracy   Programmable for design flexibility							
SiT1534	1 Hz to 32.768 kHz	75, 100, 250 over temp (20 room temp)	1.2 to 3.63	0.90 µA	1508, 2012	NanoDrive, LVCMOS	Smallest XO, Field Programmable
SiT1569	1 Hz to 462.5 kHz	±50	1.62 to 3.63	3.3 µA (100 kHz)	1508	LVCMOS	
SiT1579	1 Hz to 2.5 MHz	±50	1.62 to 3.63	8.0 µA (100 kHz)			Smallest XO, 2.5 ns RMS phase jitter, Field Programmable
SiT8021	1 MHz to 26 MHz	±50, ±100	1.8, 2.5 to 3.3	60 to 280 µA (0.7 µA stby)			Smallest XO, Field Programmable

<b>LOW POWER TCXOs</b>   Smallest size   Lower power   Drive two or more loads   Higher accuracy   Programmable for design flexibility							
SiT1576 Super-TCXO	1 Hz to 2.5 MHz	±5, ±20 all inclusive	1.62 to 3.63	8.0 µA (100 kHz)	1508	LVCMOS	Smallest XO, 2.5 ns RMS phase jitter, Field Programmable
SiT1581 TCXO		±50		6.0 µA (100 kHz)			Smallest XO, 2.2 ns RMS phase jitter, Immune to small-molecule gasses

## Field Programmable Oscillators – Always Available



ANY FREQUENCY



ANY VOLTAGE



ANY STABILITY



## Easy-to-use programming kit

- Don't waste time searching & waiting for timing devices
- Optimize system performance with custom frequencies
- Instantly reduce EMI with programmable drive strength